

RIVIEN PANELING PROFILE SELECTION

Sheet	Sheet Name	Effective Cover	Date
Typical			
R-PROFILES-01	Rivien Paneling Profile Index		24-01-2025
Layouts Open Negative			
R-ON-01 LAYOUT	13mm Random Width, R-ON-301 & R-ON-304		24-01-2025
R-ON-02 LAYOUT	19mm Random Width, R-ON-321 & R-ON-324		24-01-2025
R-ON-03 LAYOUT	13mm Random Width, R-ON-303 & R-ON-305		24-01-2025
R-ON-04 LAYOUT	19mm Random Width, R-ON-323 & R-ON-325		24-01-2025
Layouts V-Groove Negative			
R-VN-01 LAYOUT	13mm Random Width, R-VN-101 & R-VN-102		24-01-2025
R-VN-02 LAYOUT	19mm Random Width, R-VN-121 & R-VN-122		24-01-2025
100 Selection V-Groove Negative			
R-VN-100	85x13mm V-Groove Neg Profile	69mm	24-01-2025
R-VN-101	135x13mm V-Groove Neg Profile	119mm	24-01-2025
R-VN-102	135x13mm V-Groove Neg Profile	119mm	24-01-2025
R-VN-120	85x19mm V-Groove Neg Profile	66mm	24-01-2025
R-VN-121	135x19mm V-Groove Neg Profile	116mm	24-01-2025
R-VN-122	135x19mm V-Groove Neg Profile	116mm	24-01-2025
200 Selection Closed Negative			
R-CN-200	85x13mm 0mm Neg Profile	69mm	24-01-2025
R-CN-201	135x13mm 0mm Neg Profile	119mm	24-01-2025
R-CN-220	85x19mm 0mm Neg Profile	66mm	24-01-2025
R-CN-221	135x19mm 0mm Neg Profile	116mm	24-01-2025
300 Selection Open Negative			
R-ON-300	85x13mm 6mm Neg Profile	69mm	24-01-2025
R-ON-301	135x13mm 6mm Neg Profile	119mm	24-01-2025
R-ON-302	85x13mm 8mm Neg Profile	69mm	24-01-2025
R-ON-303	135x13mm 8mm Neg Profile	119mm	24-01-2025
R-ON-304	135x13mm 6mm Neg Profile	119mm	24-01-2025
R-ON-305	135x13mm 8mm Neg Profile	119mm	24-01-2025
R-ON-320	85x19mm 6mm Neg Profile	66mm	24-01-2025
R-ON-321	135x19mm 6mm Neg Profile	116mm	24-01-2025
R-ON-322	85x19mm 8mm Neg Profile	66mm	24-01-2025
R-ON-323	135x19mm 8mm Neg Profile	116mm	24-01-2025
R-ON-324	135x19mm 6mm Neg Profile	116mm	24-01-2025
R-ON-325	135x19mm 8mm Neg Profile	116mm	24-01-2025

Address: 68 /10 Marsden Bay Drive, Marsden Cove, Northland

Phone: 0800 NATIVE

Email: sales@nznaturaltimber.co.nz

Website: www.sales@nznaturaltimber.co.nz

Drawing

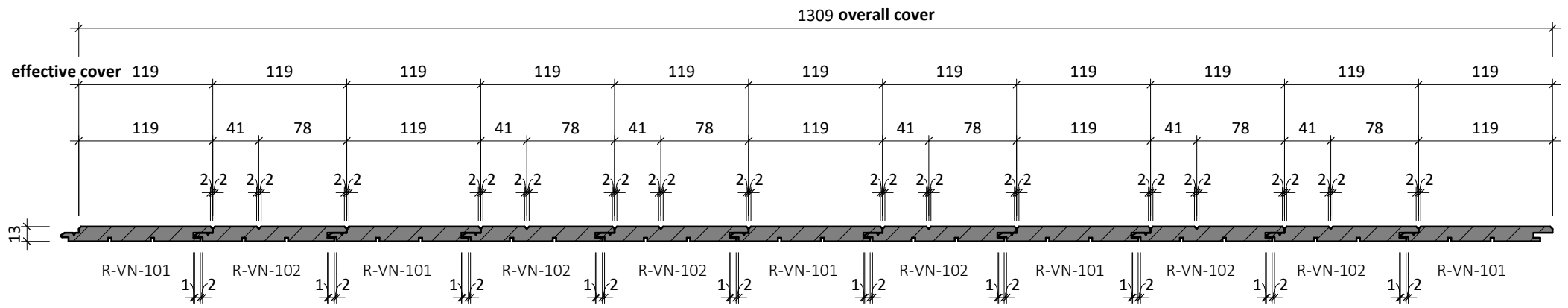
R-PROFILES-01

Scale
at A4

Title

**Rivien Paneling Profile
Index**

Date
24-01-2025



Address: 68 /10 Marsden Bay Drive, Marsden Cove, Northland

Phone: 0800 NATIVE

Email: sales@nznaturaltimber.co.nz

Website: www.sales@nznaturaltimber.co.nz

Drawing

R-VN-01 LAYOUT

Scale

1 : 5 at A4

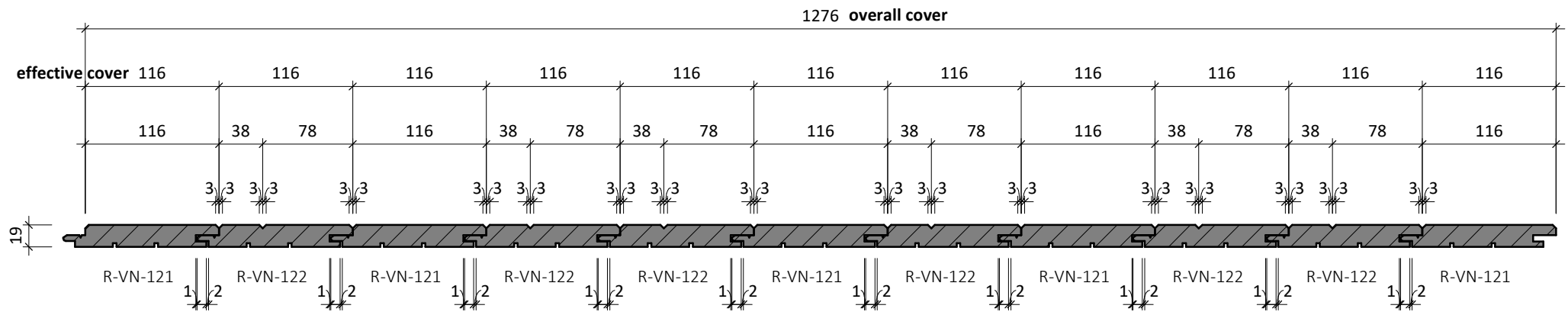
Title

13mm Random Width, R-VN-101 & R-VN-102

Date

24-01-2025

RIVIEN



Address: 68 /10 Marsden Bay Drive, Marsden Cove, Northland

Phone: 0800 NATIVE

Email: sales@nznaturaltimber.co.nz

Website: www.sales@nznaturaltimber.co.nz

Drawing

R-VN-02 LAYOUT

Scale

1 : 5 at A4

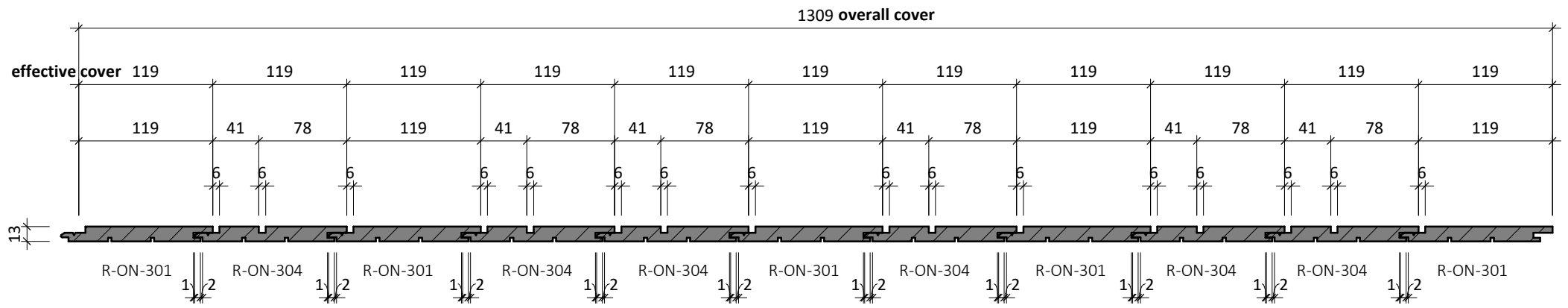
Title

19mm Random Width, R-VN-121 & R-VN-122

Date

24-01-2025

RIVIEN



Address: 68 /10 Marsden Bay Drive, Marsden Cove, Northland

Phone: 0800 NATIVE

Email: sales@nznaturaltimber.co.nz

Website: www.sales@nznaturaltimber.co.nz

Drawing

R-ON-01 LAYOUT

Scale

1 : 5 at A4

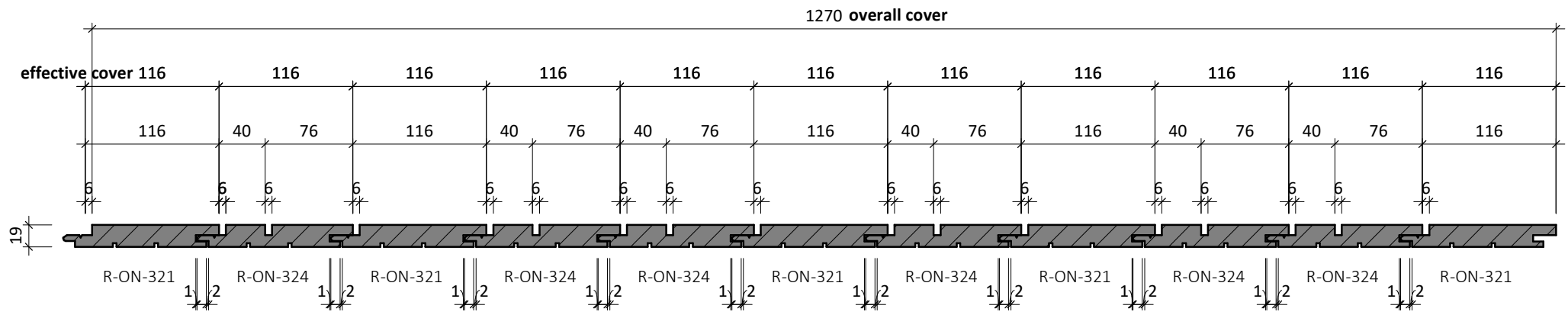
Title

13mm Random Width, R-ON-301 & R-ON-304

Date

24-01-2025

RIVIEN



Address: 68 /10 Marsden Bay Drive, Marsden Cove, Northland

Phone: 0800 NATIVE

Email: sales@nznaturaltimber.co.nz

Website: www.sales@nznaturaltimber.co.nz

Drawing

R-ON-02 LAYOUT

Scale

1 : 5 at A4

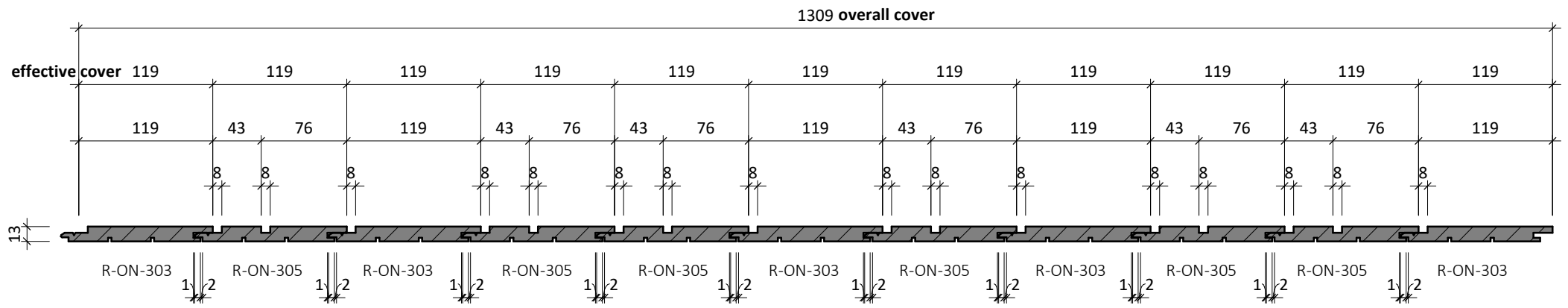
Title

19mm Random Width, R-ON-321 & R-ON-324

Date

24-01-2025

RIVIEN



Address: 68 /10 Marsden Bay Drive, Marsden Cove, Northland

Phone: 0800 NATIVE

Email: sales@nznaturaltimber.co.nz

Website: www.sales@nznaturaltimber.co.nz

Drawing

R-ON-03 LAYOUT

Scale

1 : 5 at A4

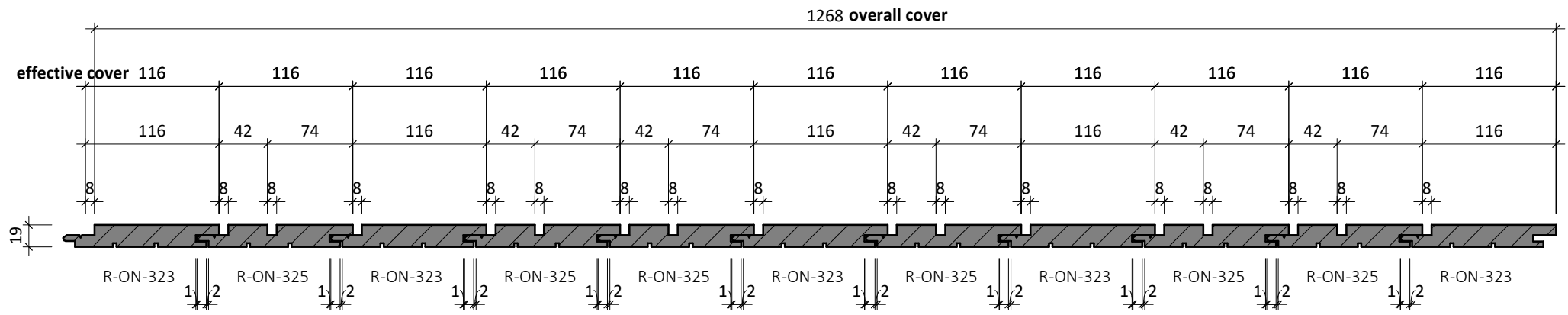
Title

13mm Random Width, R-ON-303 & R-ON-305

Date

24-01-2025

RIVIEN



Address: 68 /10 Marsden Bay Drive, Marsden Cove, Northland

Phone: 0800 NATIVE

Email: sales@nznaturaltimber.co.nz

Website: www.sales@nznaturaltimber.co.nz

Drawing

R-ON-04 LAYOUT

Scale

1 : 5 at A4

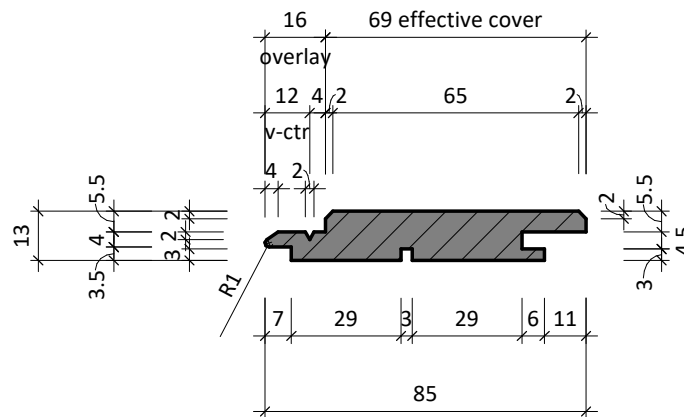
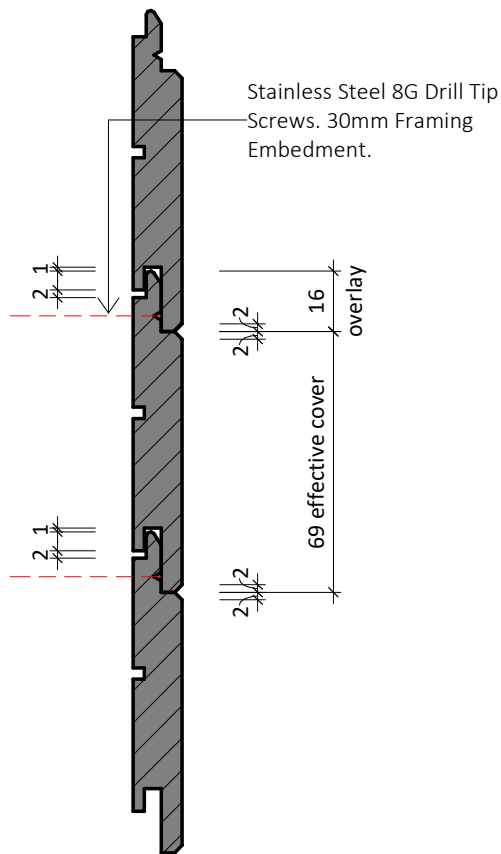
Title

19mm Random Width, R-ON-323 & R-ON-325

Date

24-01-2025

RIVIEN



Keynotes:

- Profile for oiled or stained panelling only.
- Kiln Dried (KD) 10 - 12 % (or with a prior MC approved).
- Correct handling and dry storage is required to ensure the timber is acclimatised to suit its intended use.
- Fixings to be suitably engineered to suit the construction type.

Finish:

- DF/S (Dressed face sanded)
- BSF (or Band sawn finish sanded/denibbed)
- Dressed face pre-coated boards must be face sanded prior to coating.

Address: 68 /10 Marsden Bay Drive, Marsden Cove, Northland

Phone: 0800 NATIVE

Email: sales@nznaturaltimber.co.nz

Website: www.sales@nznaturaltimber.co.nz

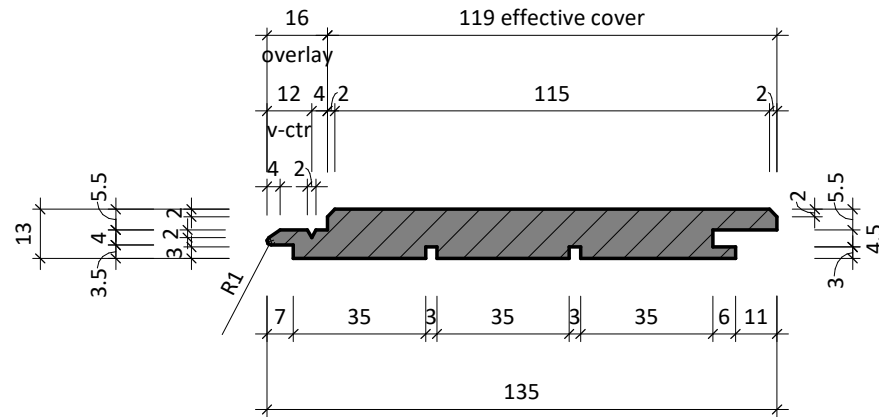
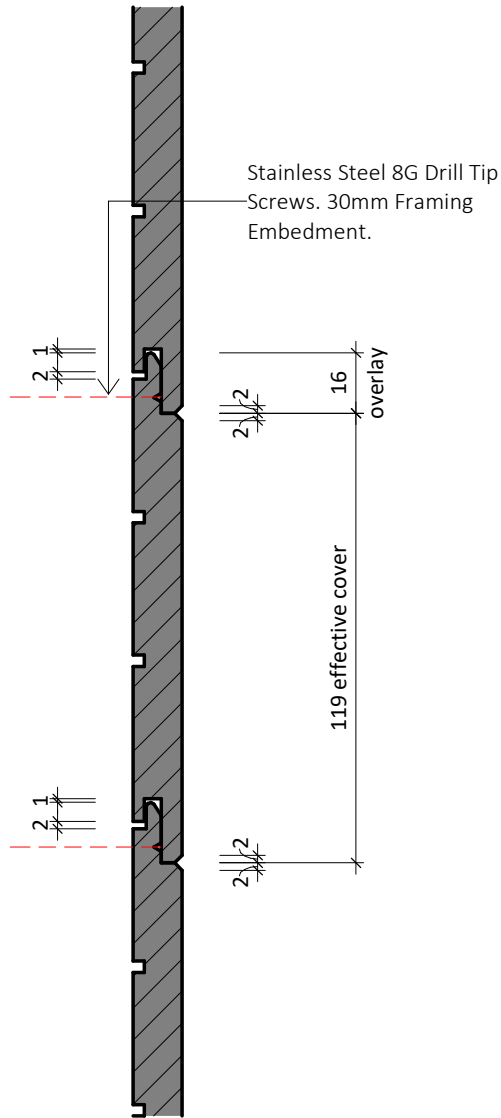
Drawing
R-VN-100

Scale
1 : 2 at A4

Title
85x13mm V-Groove Neg Profile

Date
24-01-2025

RIVIEN



Keynotes:

- Profile for oiled or stained panelling only.
- Kiln Dried (KD) 10 - 12 % (or with a prior MC approved).
- Correct handling and dry storage is required to ensure the timber is acclimatised to suit its intended use.
- Fixings to be suitably engineered to suit the construction type.

Finish:

- DF/S (Dressed face sanded)
- BSF (or Band sawn finish sanded/denibbed)
- Dressed face pre-coated boards must be face sanded prior to coating.

Address: 68 /10 Marsden Bay Drive, Marsden Cove, Northland

Phone: 0800 NATIVE

Email: sales@nznaturaltimber.co.nz

Website: www.sales@nznaturaltimber.co.nz

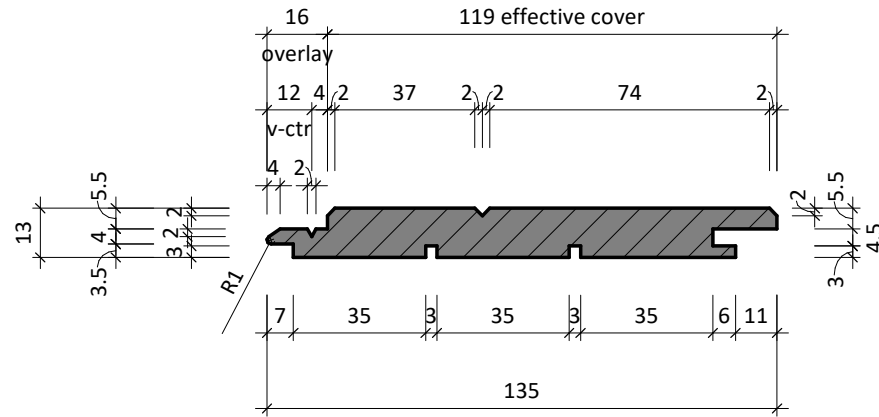
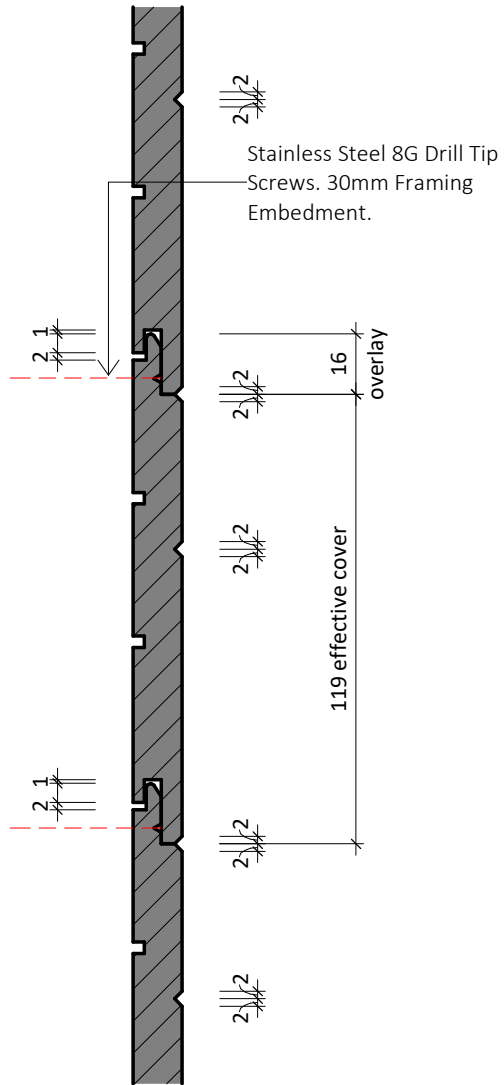
Drawing
R-VN-101

Scale
1 : 2 at A4

Title
135x13mm V-Groove Neg Profile

Date
24-01-2025

RIVIEN



Keynotes:

- Profile for oiled or stained panelling only.
- Kiln Dried (KD) 10 - 12 % (or with a prior MC approved).
- Correct handling and dry storage is required to ensure the timber is acclimatised to suit its intended use.
- Fixings to be suitably engineered to suit the construction type.

Finish:

- DF/S (Dressed face sanded)
- BSF (or Band sawn finish sanded/denibbed)
- Dressed face pre-coated boards must be face sanded prior to coating.

Address: 68 /10 Marsden Bay Drive, Marsden Cove, Northland

Phone: 0800 NATIVE

Email: sales@nznaturaltimber.co.nz

Website: www.sales@nznaturaltimber.co.nz

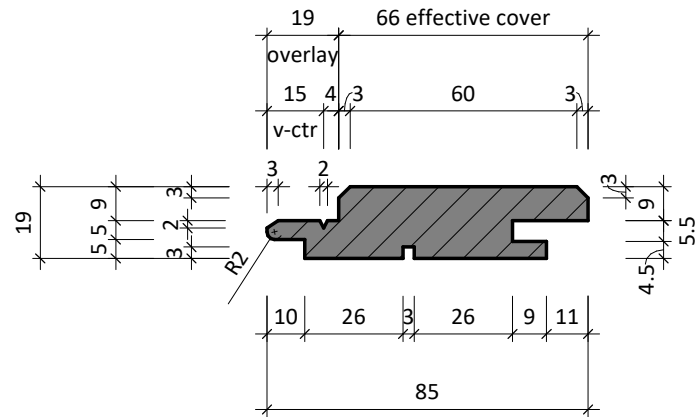
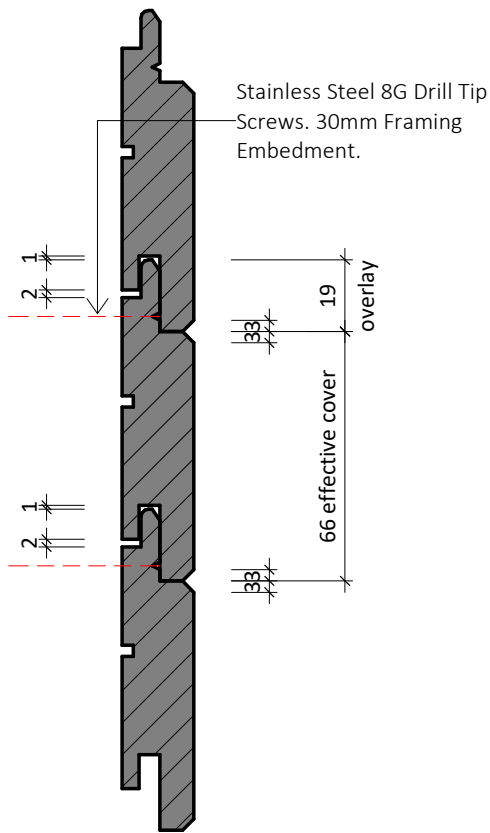
Drawing
R-VN-102

Scale
1 : 2 at A4

Title
135x13mm V-Groove Neg Profile

Date
24-01-2025

RIVIEN



Keynotes:

- Profile for oiled or stained panelling only.
- Kiln Dried (KD) 10 - 12 % (or with a prior MC approved).
- Correct handling and dry storage is required to ensure the timber is acclimatised to suit its intended use.
- Fixings to be suitably engineered to suit the construction type.

Finish:

- DF/S (Dressed face sanded)
- BSF (or Band sawn finish sanded/denibbed)
- Dressed face pre-coated boards must be face sanded prior to coating.

Address: 68 /10 Marsden Bay Drive, Marsden Cove, Northland

Phone: 0800 NATIVE

Email: sales@nznaturaltimber.co.nz

Website: www.sales@nznaturaltimber.co.nz

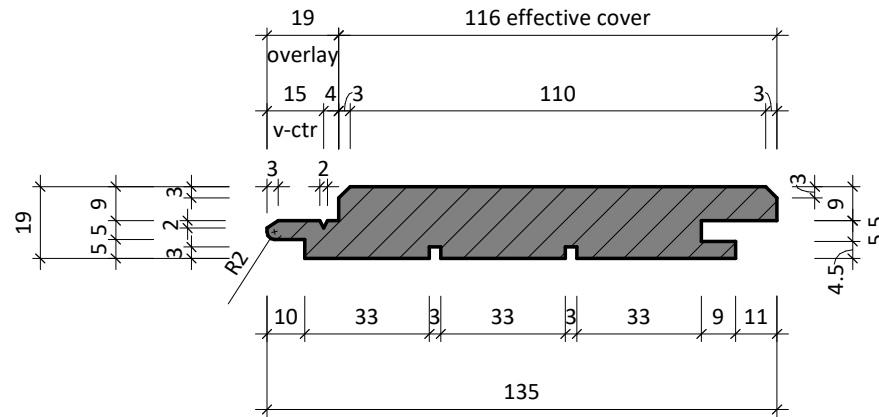
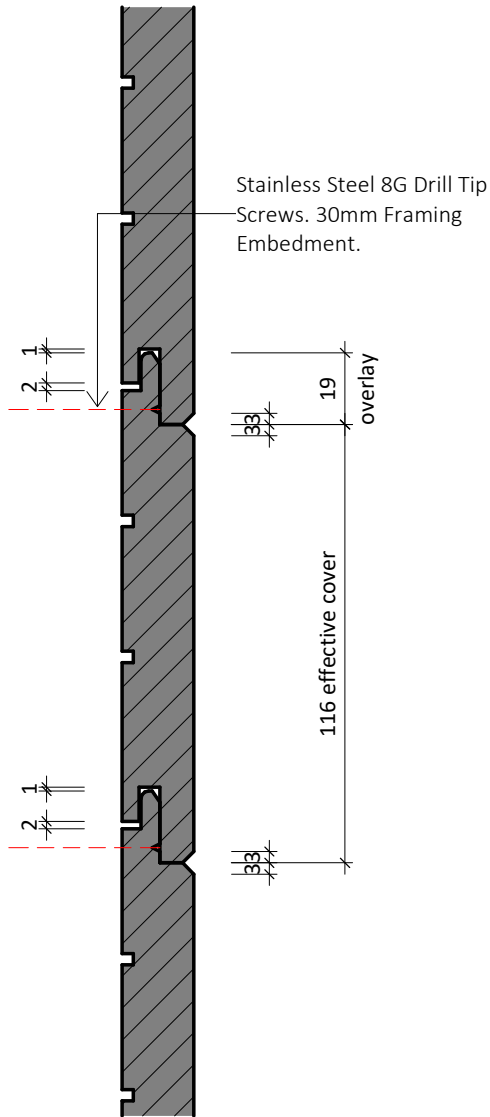
Drawing
R-VN-120

Scale
1 : 2 at A4

Title
85x19mm V-Groove Neg Profile

Date
24-01-2025

RIVIEN



Keynotes:

- Profile for oiled or stained panelling only.
- Kiln Dried (KD) 10 - 12 % (or with a prior MC approved).
- Correct handling and dry storage is required to ensure the timber is acclimatised to suit its intended use.
- Fixings to be suitably engineered to suit the construction type.

Finish:

- DF/S (Dressed face sanded)
- BSF (or Band sawn finish sanded/denibbed)
- Dressed face pre-coated boards must be face sanded prior to coating.

Address: 68 /10 Marsden Bay Drive, Marsden Cove, Northland

Phone: 0800 NATIVE

Email: sales@nznaturaltimber.co.nz

Website: www.sales@nznaturaltimber.co.nz

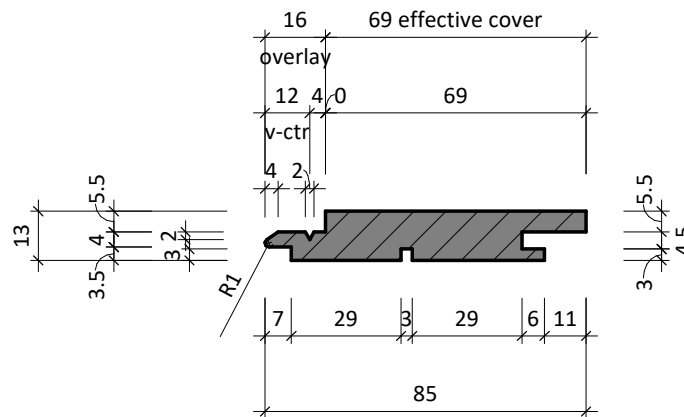
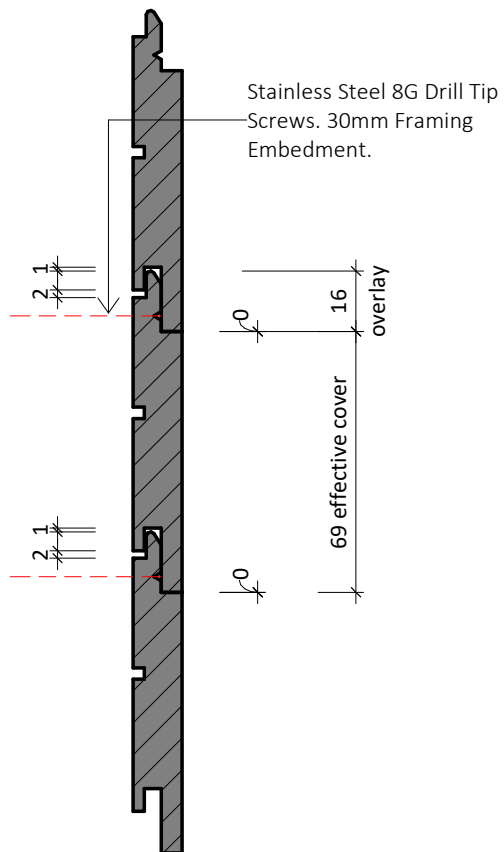
Drawing
R-VN-121

Scale
1 : 2 at A4

Title
135x19mm V-Groove Neg Profile

Date
24-01-2025

RIVIEN



Keynotes:

- Profile for oiled or stained panelling only.
- Kiln Dried (KD) 10 - 12 % (or with a prior MC approved).
- Correct handling and dry storage is required to ensure the timber is acclimatised to suit its intended use.
- Fixings to be suitably engineered to suit the construction type.

Finish:

- DF/S (Dressed face sanded)
- BSF (or Band sawn finish sanded/denibbed)
- Dressed face pre-coated boards must be face sanded prior to coating.

Address: 68 /10 Marsden Bay Drive, Marsden Cove, Northland

Phone: 0800 NATIVE

Email: sales@nznaturaltimber.co.nz

Website: www.sales@nznaturaltimber.co.nz

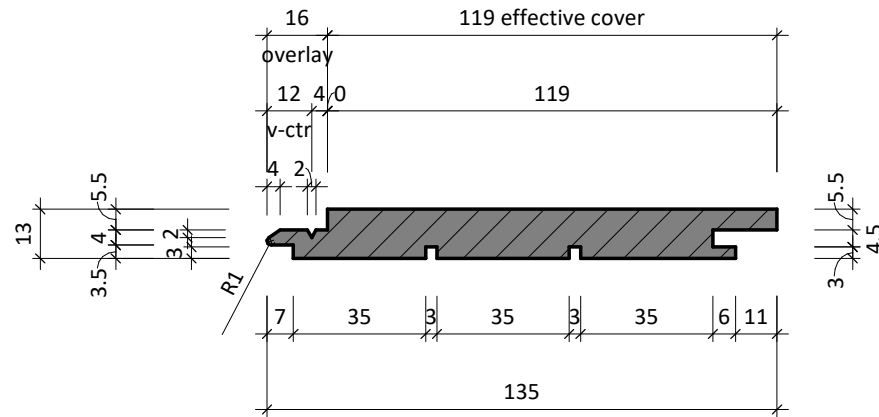
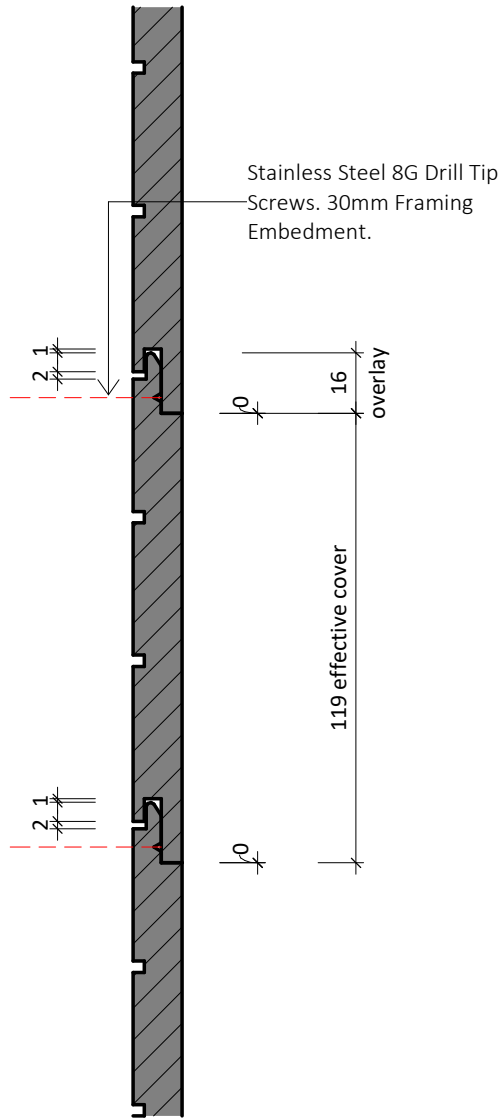
Drawing
R-CN-200

Scale
1 : 2 at A4

Title
85x13mm 0mm Neg Profile

Date
24-01-2025

RIVIEN



Keynotes:

- Profile for oiled or stained panelling only.
- Kiln Dried (KD) 10 - 12 % (or with a prior MC approved).
- Correct handling and dry storage is required to ensure the timber is acclimatised to suit its intended use.
- Fixings to be suitably engineered to suit the construction type.

Finish:

- DF/S (Dressed face sanded)
- BSF (or Band sawn finish sanded/denibbed)
- Dressed face pre-coated boards must be face sanded prior to coating.

Address: 68 /10 Marsden Bay Drive, Marsden Cove, Northland

Phone: 0800 NATIVE

Email: sales@nznaturaltimber.co.nz

Website: www.sales@nznaturaltimber.co.nz

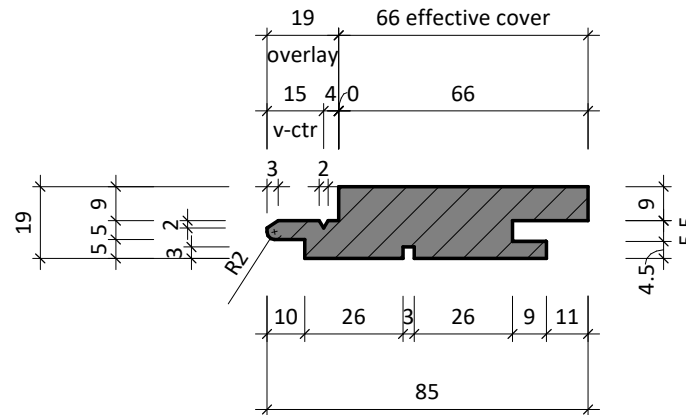
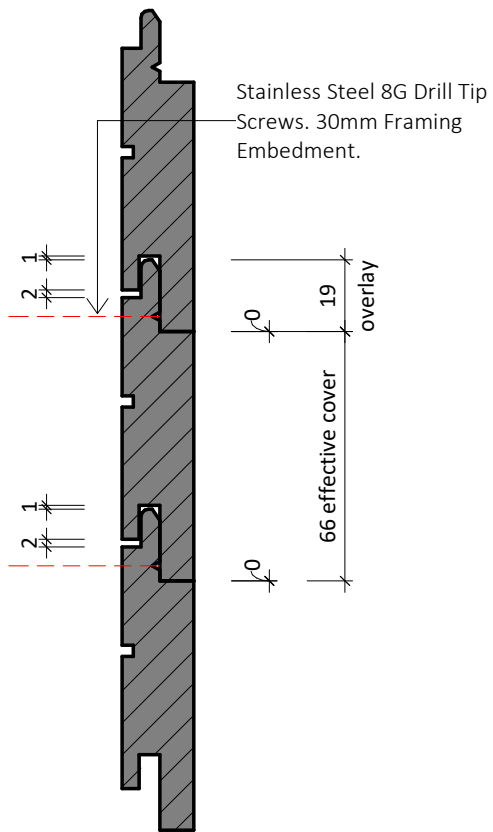
Drawing
R-CN-201

Scale
1 : 2 at A4

Title
135x13mm 0mm Neg Profile

Date
24-01-2025

RIVIEN



Keynotes:

- Profile for oiled or stained panelling only.
- Kiln Dried (KD) 10 - 12 % (or with a prior MC approved).
- Correct handling and dry storage is required to ensure the timber is acclimatised to suit its intended use.
- Fixings to be suitably engineered to suit the construction type.

Finish:

- DF/S (Dressed face sanded)
- BSF (or Band sawn finish sanded/denibbed)
- Dressed face pre-coated boards must be face sanded prior to coating.

Address: 68 /10 Marsden Bay Drive, Marsden Cove, Northland

Phone: 0800 NATIVE

Email: sales@nznaturaltimber.co.nz

Website: www.sales@nznaturaltimber.co.nz

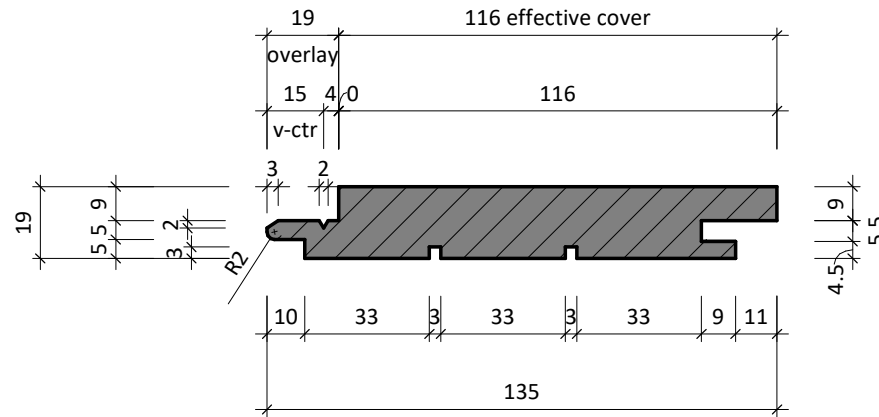
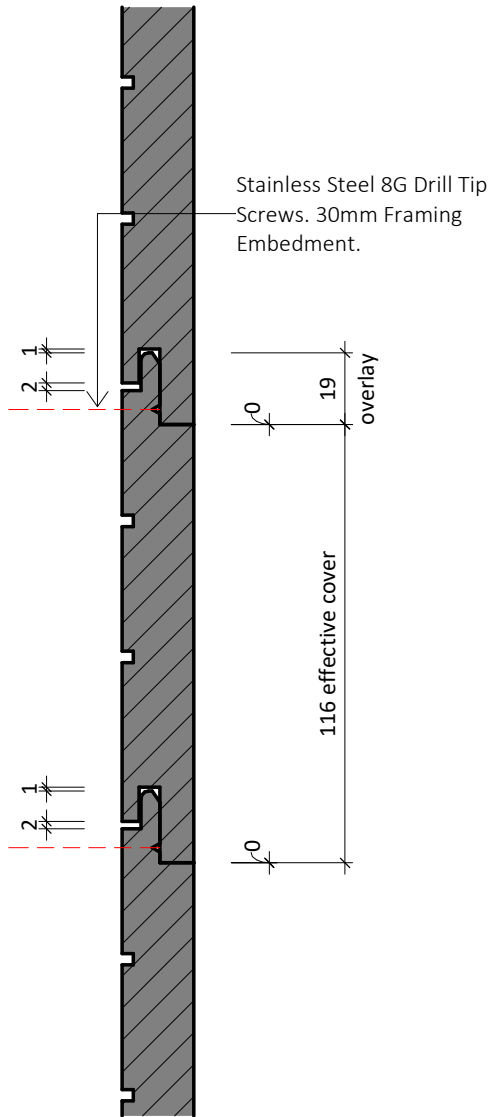
Drawing
R-CN-220

Scale
1 : 2 at A4

Title
85x19mm 0mm Neg Profile

Date
24-01-2025

RIVIEN



Keynotes:

- Profile for oiled or stained panelling only.
- Kiln Dried (KD) 10 - 12 % (or with a prior MC approved).
- Correct handling and dry storage is required to ensure the timber is acclimatised to suit its intended use.
- Fixings to be suitably engineered to suit the construction type.

Finish:

- DF/S (Dressed face sanded)
- BSF (or Band sawn finish sanded/denibbed)
- Dressed face pre-coated boards must be face sanded prior to coating.

Address: 68 /10 Marsden Bay Drive, Marsden Cove, Northland

Phone: 0800 NATIVE

Email: sales@nznaturaltimber.co.nz

Website: www.sales@nznaturaltimber.co.nz

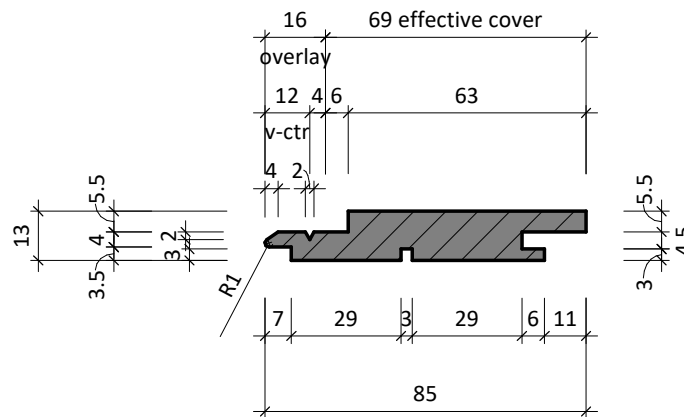
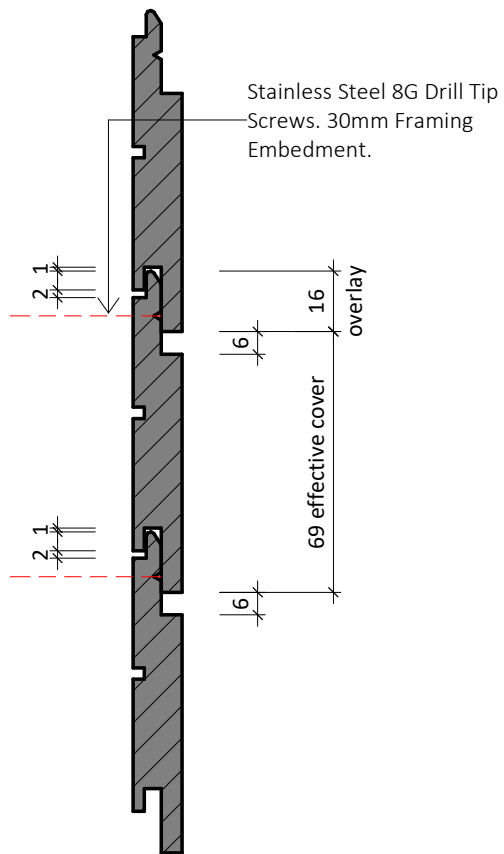
Drawing
R-CN-221

Scale
1 : 2 at A4

Title
135x19mm 0mm Neg Profile

Date
24-01-2025

RIVIEN



Keynotes:

- Profile for oiled or stained panelling only.
- Kiln Dried (KD) 10 - 12 % (or with a prior MC approved).
- Correct handling and dry storage is required to ensure the timber is acclimatised to suit its intended use.
- Fixings to be suitably engineered to suit the construction type.

Finish:

- DF/S (Dressed face sanded)
- BSF (or Band sawn finish sanded/denibbed)
- Dressed face pre-coated boards must be face sanded prior to coating.

Address: 68 /10 Marsden Bay Drive, Marsden Cove, Northland

Phone: 0800 NATIVE

Email: sales@nznaturaltimber.co.nz

Website: www.sales@nznaturaltimber.co.nz

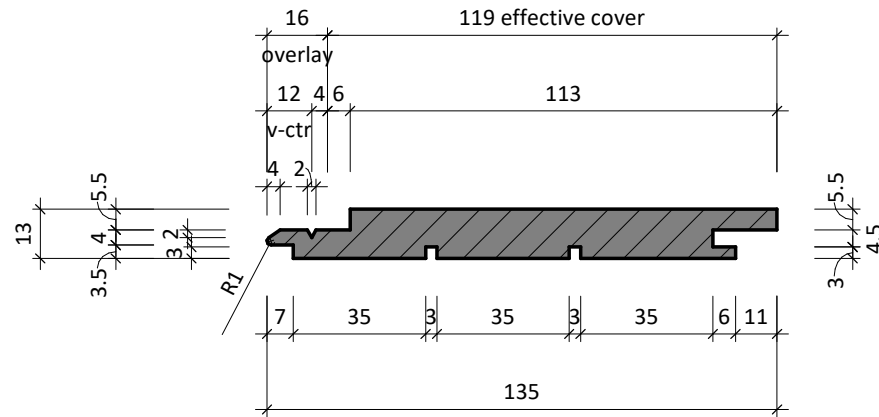
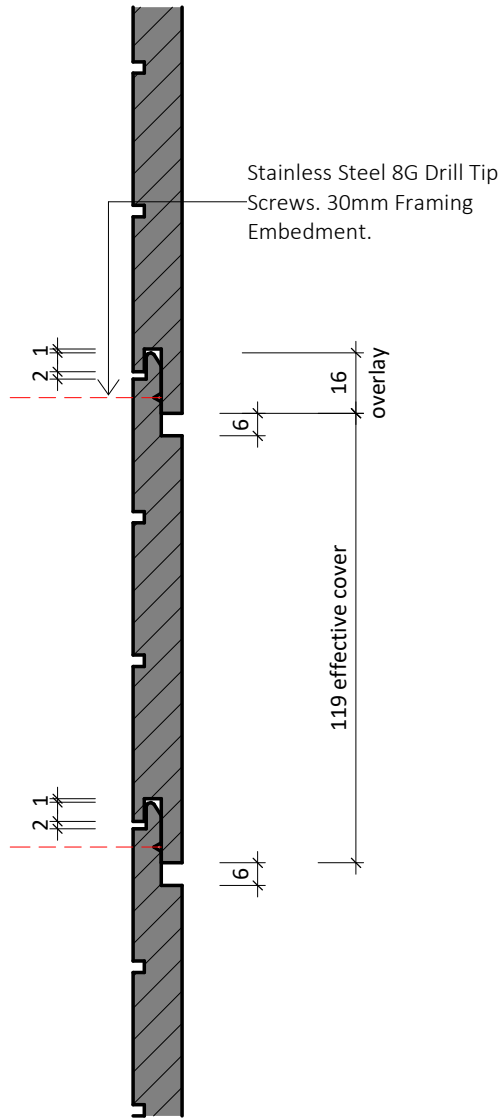
Drawing
R-ON-300

Scale
1 : 2 at A4

Title
85x13mm 6mm Neg Profile

Date
24-01-2025

RIVIEN



Keynotes:

- Profile for oiled or stained panelling only.
- Kiln Dried (KD) 10 - 12 % (or with a prior MC approved).
- Correct handling and dry storage is required to ensure the timber is acclimatised to suit its intended use.
- Fixings to be suitably engineered to suit the construction type.

Finish:

- DF/S (Dressed face sanded)
- BSF (or Band sawn finish sanded/denibbed)
- Dressed face pre-coated boards must be face sanded prior to coating.

Address: 68 /10 Marsden Bay Drive, Marsden Cove, Northland

Phone: 0800 NATIVE

Email: sales@nznaturaltimber.co.nz

Website: www.sales@nznaturaltimber.co.nz

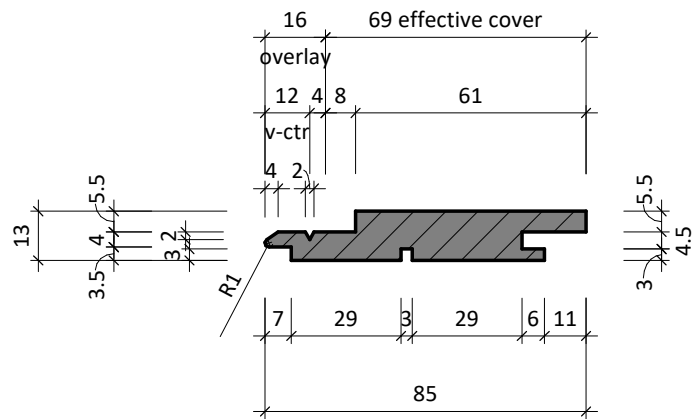
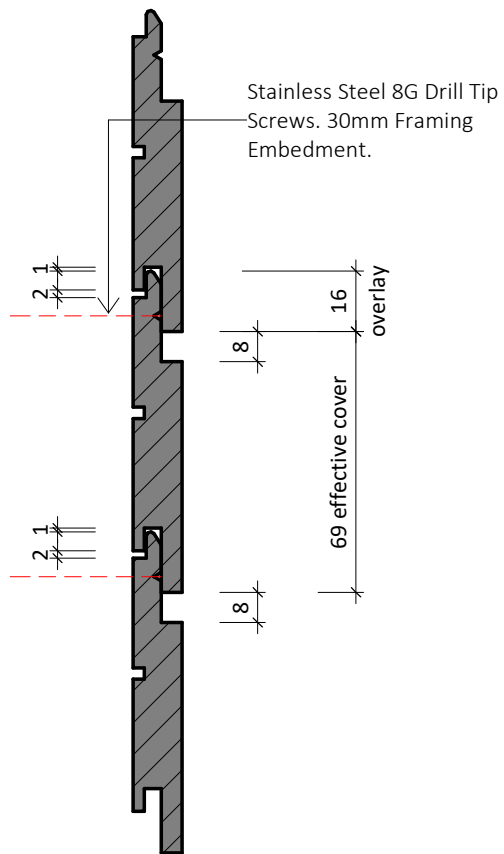
Drawing
R-ON-301

Scale
1 : 2 at A4

Title
135x13mm 6mm Neg Profile

Date
24-01-2025

RIVIEN



Keynotes:

- Profile for oiled or stained panelling only.
- Kiln Dried (KD) 10 - 12 % (or with a prior MC approved).
- Correct handling and dry storage is required to ensure the timber is acclimatised to suit its intended use.
- Fixings to be suitably engineered to suit the construction type.

Finish:

- DF/S (Dressed face sanded)
- BSF (or Band sawn finish sanded/denibbed)
- Dressed face pre-coated boards must be face sanded prior to coating.

Address: 68 /10 Marsden Bay Drive, Marsden Cove, Northland

Phone: 0800 NATIVE

Email: sales@nznaturaltimber.co.nz

Website: www.sales@nznaturaltimber.co.nz

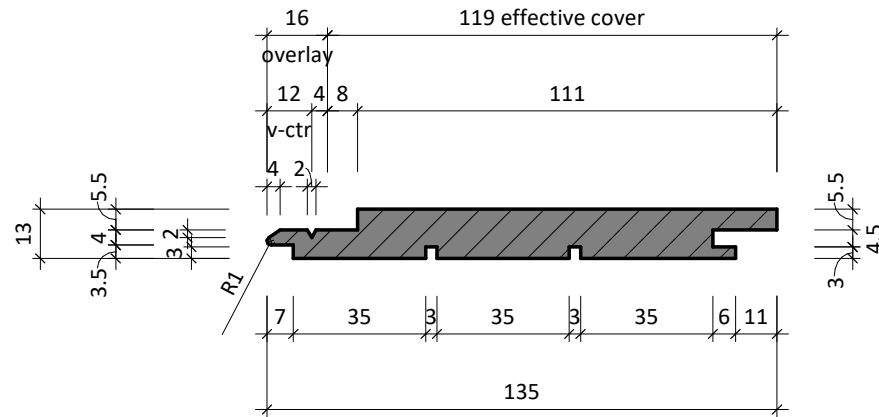
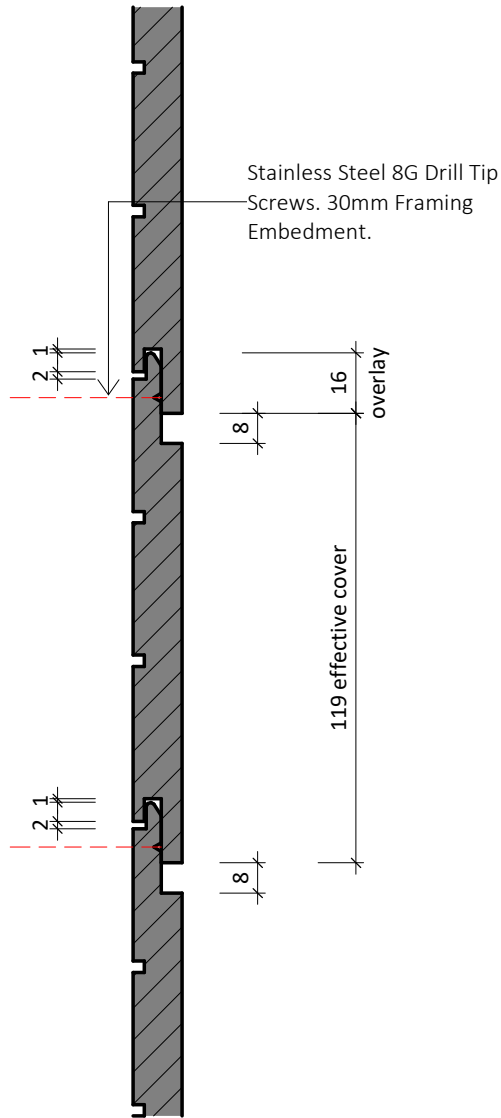
Drawing
R-ON-302

Scale
1 : 2 at A4

Title
85x13mm 8mm Neg Profile

Date
24-01-2025

RIVIEN



Keynotes:

- Profile for oiled or stained panelling only.
- Kiln Dried (KD) 10 - 12 % (or with a prior MC approved).
- Correct handling and dry storage is required to ensure the timber is acclimatised to suit its intended use.
- Fixings to be suitably engineered to suit the construction type.

Finish:

- DF/S (Dressed face sanded)
- BSF (or Band sawn finish sanded/denibbed)
- Dressed face pre-coated boards must be face sanded prior to coating.

Address: 68 /10 Marsden Bay Drive, Marsden Cove, Northland

Phone: 0800 NATIVE

Email: sales@nznaturaltimber.co.nz

Website: www.sales@nznaturaltimber.co.nz

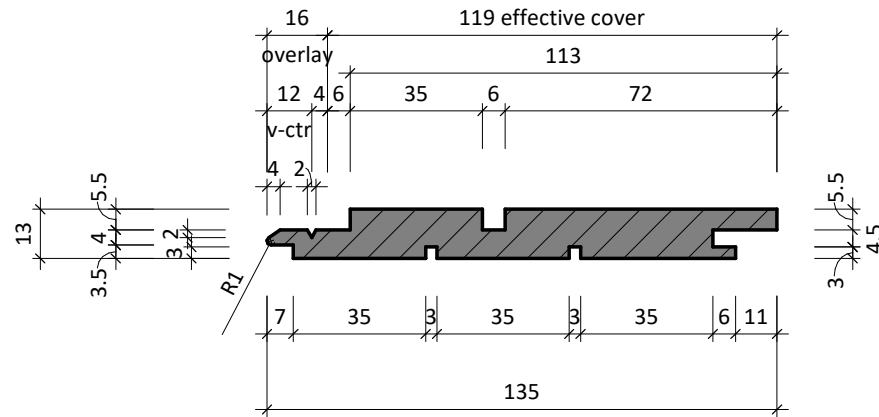
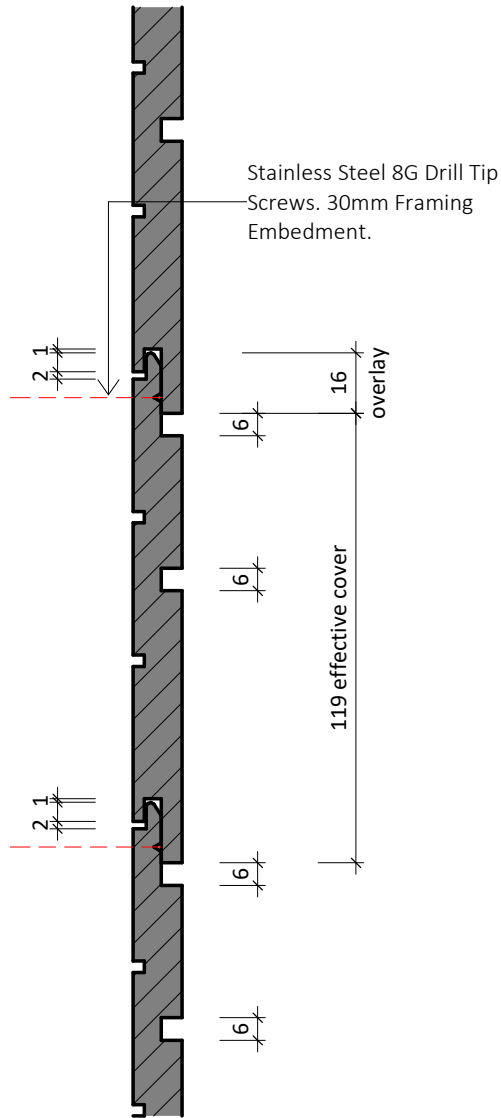
Drawing
R-ON-303

Scale
1 : 2 at A4

Title
135x13mm 8mm Neg Profile

Date
24-01-2025

RIVIEN



Keynotes:

- Profile for oiled or stained panelling only.
- Kiln Dried (KD) 10 - 12 % (or with a prior MC approved).
- Correct handling and dry storage is required to ensure the timber is acclimatised to suit its intended use.
- Fixings to be suitably engineered to suit the construction type.

Finish:

- DF/S (Dressed face sanded)
- BSF (or Band sawn finish sanded/denibbed)
- Dressed face pre-coated boards must be face sanded prior to coating.

Address: 68 /10 Marsden Bay Drive, Marsden Cove, Northland

Phone: 0800 NATIVE

Email: sales@nznaturaltimber.co.nz

Website: www.sales@nznaturaltimber.co.nz

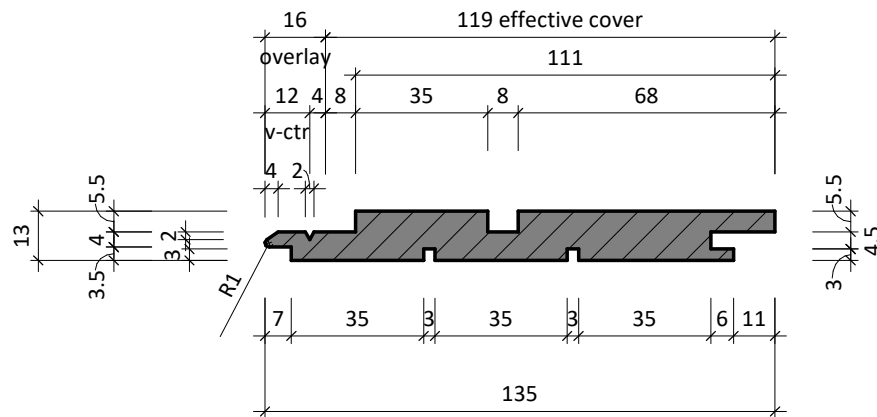
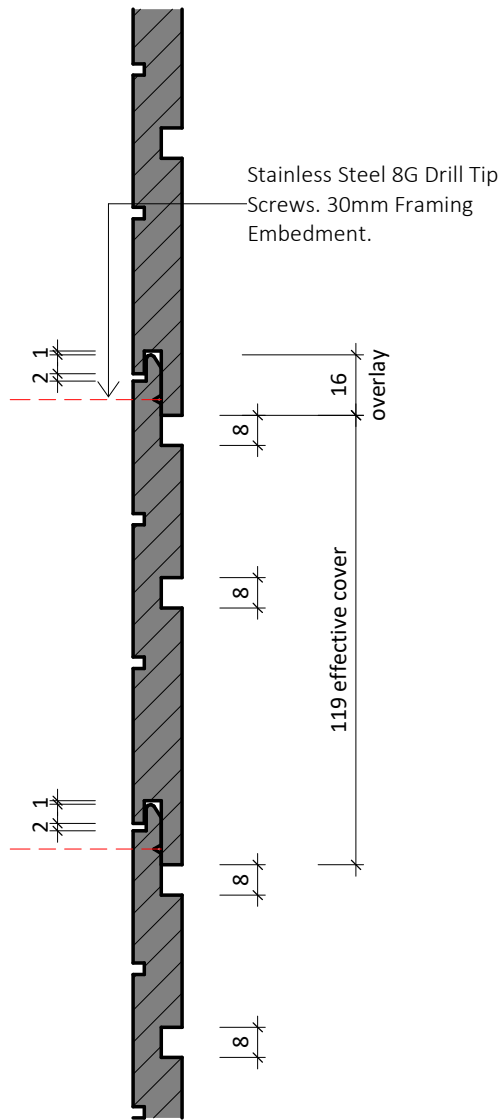
Drawing
R-ON-304

Scale
1 : 2 at A4

Title
135x13mm 6mm Neg Profile

Date
24-01-2025

RIVIEN



Keynotes:

- Profile for oiled or stained panelling only.
- Kiln Dried (KD) 10 - 12 % (or with a prior MC approved).
- Correct handling and dry storage is required to ensure the timber is acclimatised to suit its intended use.
- Fixings to be suitably engineered to suit the construction type.

Finish:

- DF/S (Dressed face sanded)
- BSF (or Band sawn finish sanded/denibbed)
- Dressed face pre-coated boards must be face sanded prior to coating.

Address: 68 /10 Marsden Bay Drive, Marsden Cove, Northland

Phone: 0800 NATIVE

Email: sales@nznaturaltimber.co.nz

Website: www.sales@nznaturaltimber.co.nz

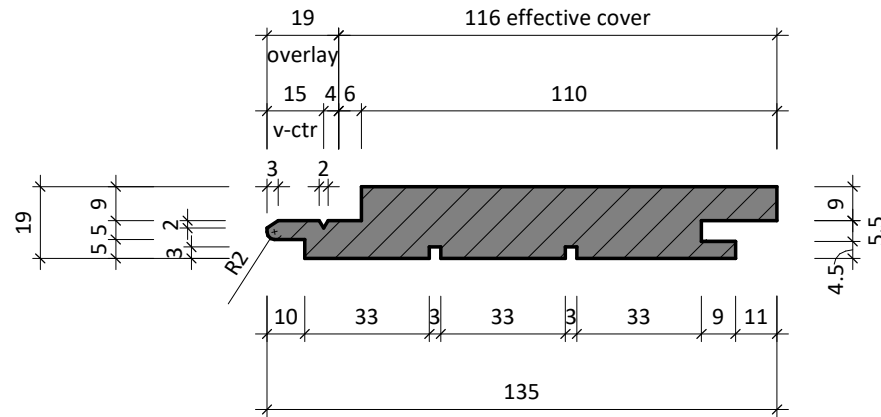
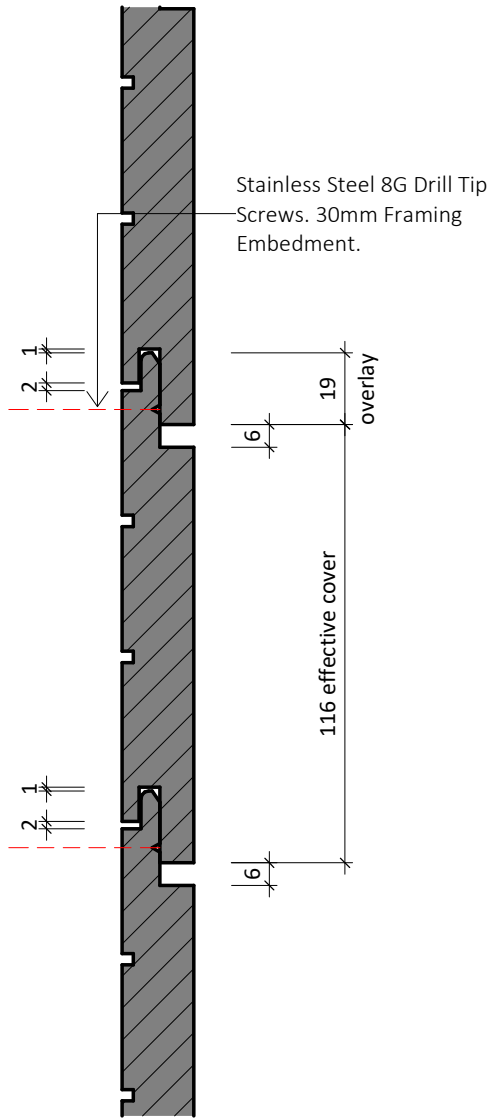
Drawing
R-ON-305

Scale
1 : 2 at A4

Title
135x13mm 8mm Neg Profile

Date
24-01-2025

RIVIEN



Keynotes:

- Profile for oiled or stained panelling only.
- Kiln Dried (KD) 10 - 12 % (or with a prior MC approved).
- Correct handling and dry storage is required to ensure the timber is acclimatised to suit its intended use.
- Fixings to be suitably engineered to suit the construction type.

Finish:

- DF/S (Dressed face sanded)
- BSF (or Band sawn finish sanded/denibbed)
- Dressed face pre-coated boards must be face sanded prior to coating.

Address: 68 /10 Marsden Bay Drive, Marsden Cove, Northland

Phone: 0800 NATIVE

Email: sales@nznaturaltimber.co.nz

Website: www.sales@nznaturaltimber.co.nz

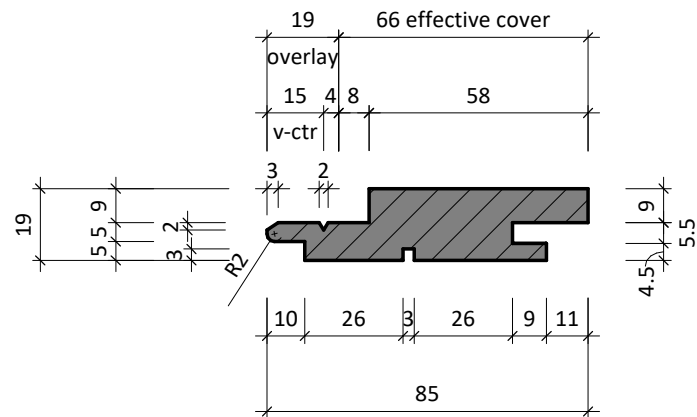
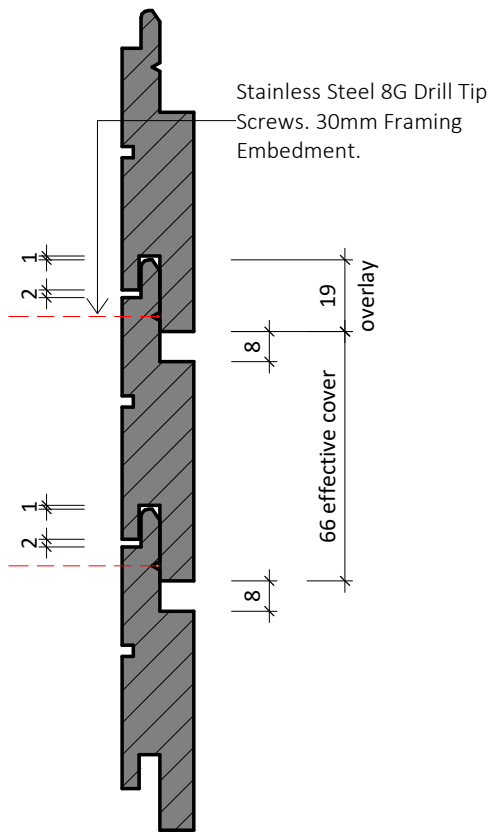
Drawing
R-ON-321

Scale
1 : 2 at A4

Title
135x19mm 6mm Neg Profile

Date
24-01-2025

RIVIEN



Keynotes:

- Profile for oiled or stained panelling only.
- Kiln Dried (KD) 10 - 12 % (or with a prior MC approved).
- Correct handling and dry storage is required to ensure the timber is acclimatised to suit its intended use.
- Fixings to be suitably engineered to suit the construction type.

Finish:

- DF/S (Dressed face sanded)
- BSF (or Band sawn finish sanded/denibbed)
- Dressed face pre-coated boards must be face sanded prior to coating.

Address: 68 /10 Marsden Bay Drive, Marsden Cove, Northland

Phone: 0800 NATIVE

Email: sales@nznaturaltimber.co.nz

Website: www.sales@nznaturaltimber.co.nz

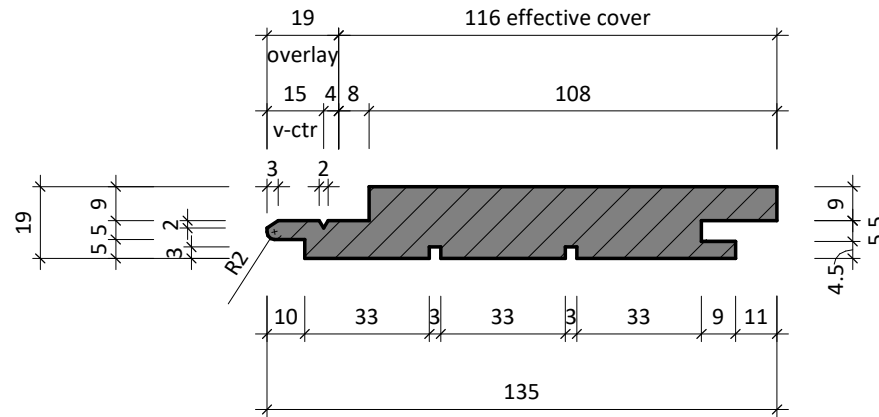
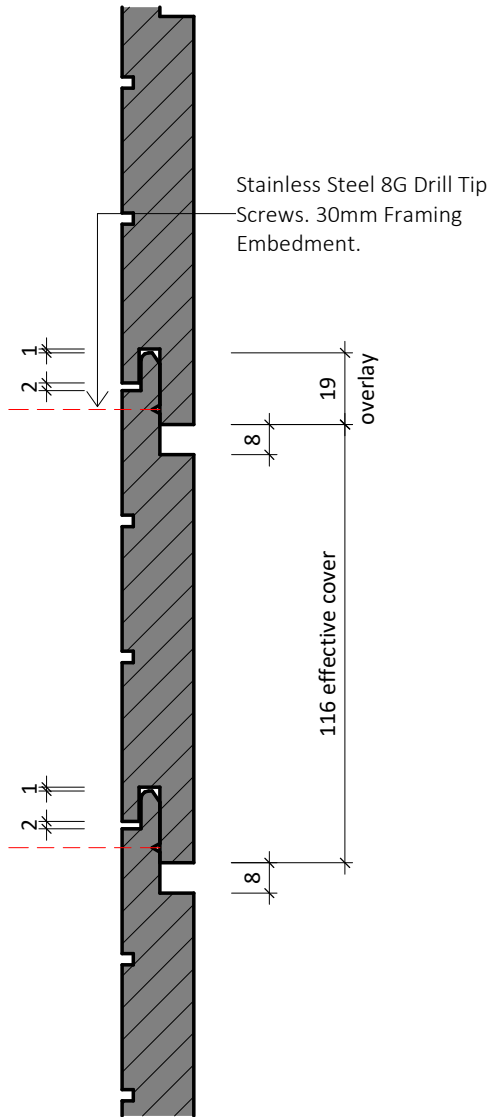
Drawing
R-ON-322

Title
85x19mm 8mm Neg Profile

Scale
1 : 2 at A4

Date
24-01-2025

RIVIEN



Keynotes:

- Profile for oiled or stained panelling only.
- Kiln Dried (KD) 10 - 12 % (or with a prior MC approved).
- Correct handling and dry storage is required to ensure the timber is acclimatised to suit its intended use.
- Fixings to be suitably engineered to suit the construction type.

Finish:

- DF/S (Dressed face sanded)
- BSF (or Band sawn finish sanded/denibbed)
- Dressed face pre-coated boards must be face sanded prior to coating.

Address: 68 /10 Marsden Bay Drive, Marsden Cove, Northland

Phone: 0800 NATIVE

Email: sales@nznaturaltimber.co.nz

Website: www.sales@nznaturaltimber.co.nz

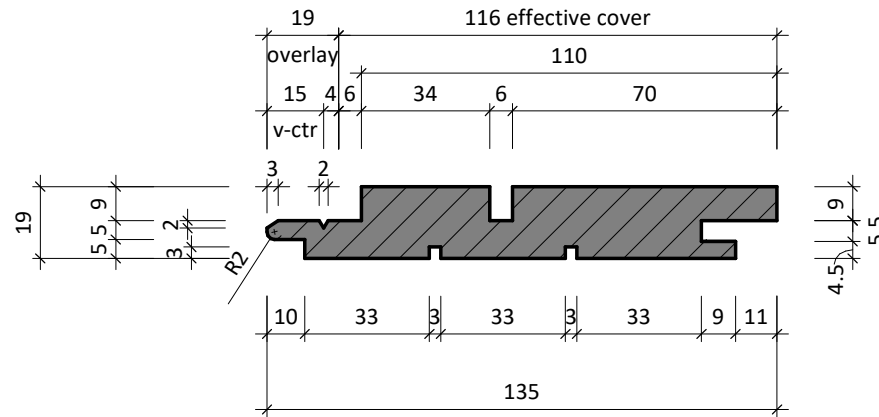
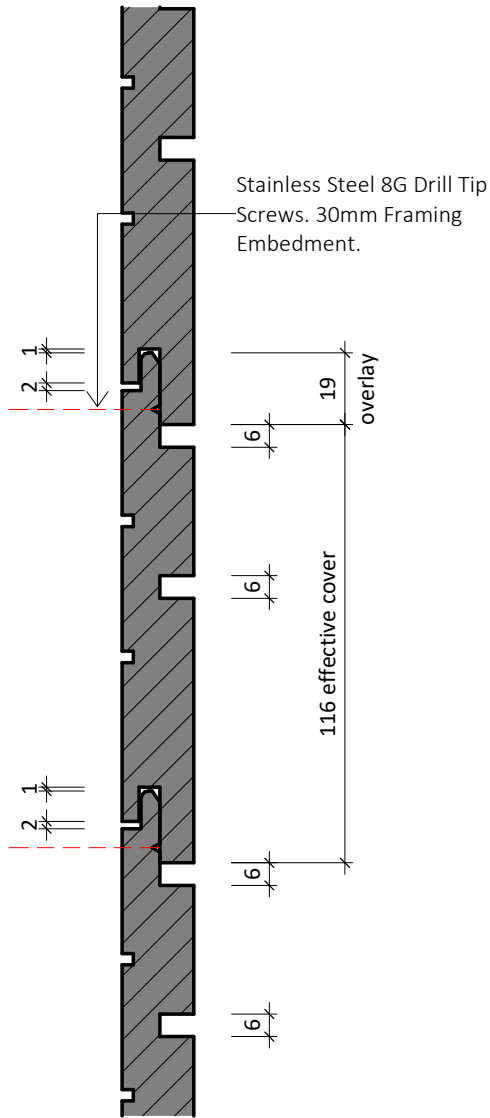
Drawing
R-ON-323

Scale
1 : 2 at A4

Title
135x19mm 8mm Neg Profile

Date
24-01-2025

RIVIEN



Keynotes:

- Profile for oiled or stained panelling only.
- Kiln Dried (KD) 10 - 12 % (or with a prior MC approved).
- Correct handling and dry storage is required to ensure the timber is acclimatised to suit its intended use.
- Fixings to be suitably engineered to suit the construction type.

Finish:

- DF/S (Dressed face sanded)
- BSF (or Band sawn finish sanded/denibbed)
- Dressed face pre-coated boards must be face sanded prior to coating.

Address: 68 /10 Marsden Bay Drive, Marsden Cove, Northland

Phone: 0800 NATIVE

Email: sales@nznaturaltimber.co.nz

Website: www.sales@nznaturaltimber.co.nz

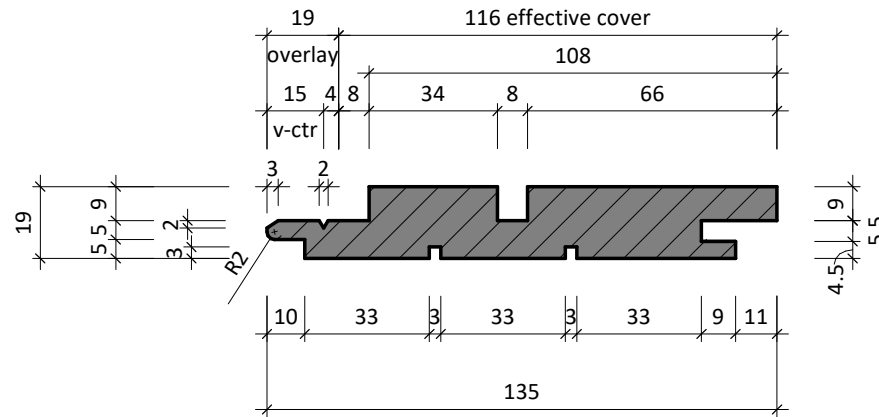
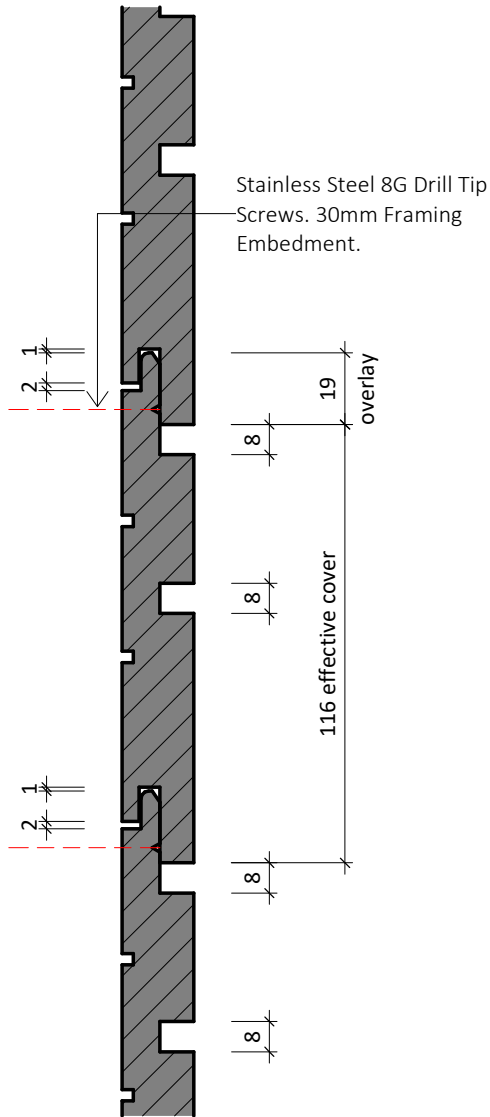
Drawing
R-ON-324

Scale
1 : 2 at A4

Title
135x19mm 6mm Neg Profile

Date
24-01-2025

RIVIEN



Keynotes:

- Profile for oiled or stained panelling only.
- Kiln Dried (KD) 10 - 12 % (or with a prior MC approved).
- Correct handling and dry storage is required to ensure the timber is acclimatised to suit its intended use.
- Fixings to be suitably engineered to suit the construction type.

Finish:

- DF/S (Dressed face sanded)
- BSF (or Band sawn finish sanded/denibbed)
- Dressed face pre-coated boards must be face sanded prior to coating.

Address: 68 /10 Marsden Bay Drive, Marsden Cove, Northland

Phone: 0800 NATIVE

Email: sales@nznaturaltimber.co.nz

Website: www.sales@nznaturaltimber.co.nz

Drawing
R-ON-325

Scale
1 : 2 at A4

Title
135x19mm 8mm Neg Profile

Date
24-01-2025

RIVIEN